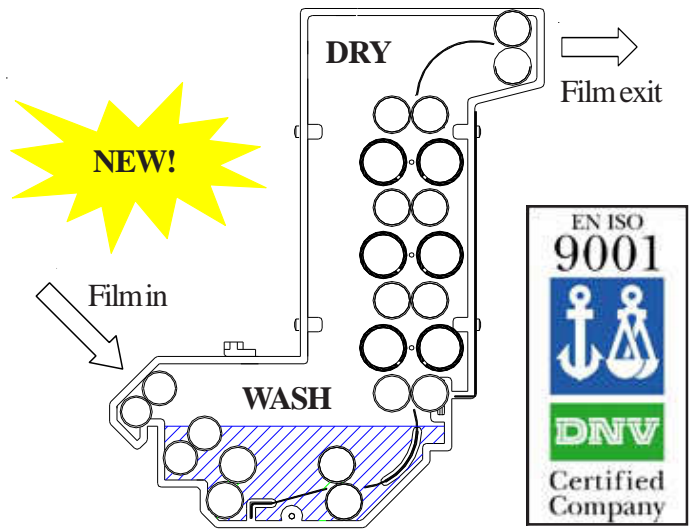


Colenta[®] INDX 37 NDT Dryer

Automatic NDT Industrial X-Ray Film Dryer

AUTOMATION FOR YOUR MANUAL FILM DEVELOPING NEEDS.

The affordable, compact and easy to use **wash** and **drying** solution for the varied and specialised manual developing applications.



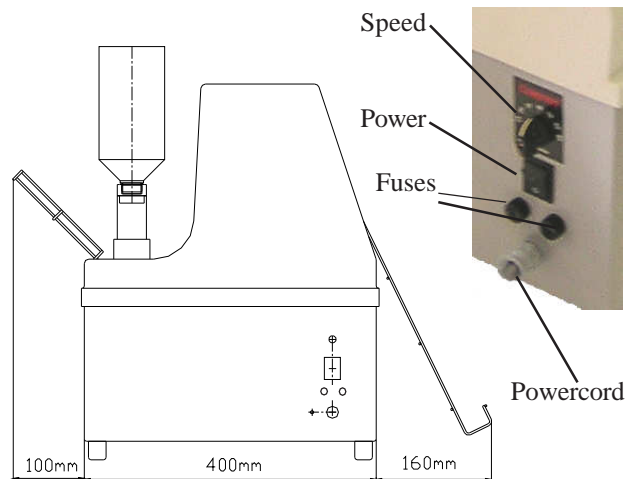
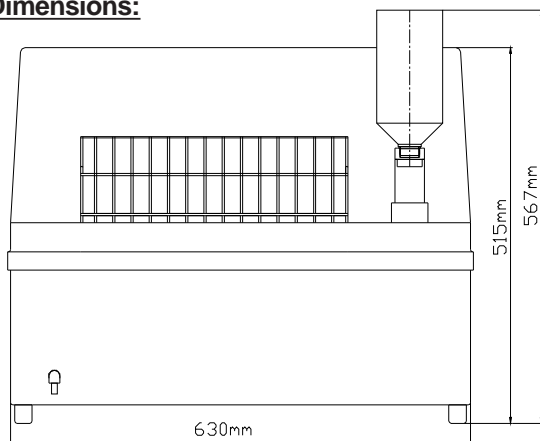
Features:

- * Low noise, Warm air drying with over-temp protection
- * Low Maintenance precision gear drive - no worm drive used
- * Staggered „minimum contact“ roller system ensures safe, clean and dry x-ray film production.
- * Lightweight and compact for easy handling
- * Low power requirements, low operating costs.

Technical Specifications:

Max Film Width:	36cm/14inch
Min Film Length:	10cm/4inch
Tankbody PA:	Wash 3,4 Litre
Dryer Temperature:	approx 50°C
Water replenishment:	automatic bottle feed
Capacity at cycle time	in-feed speed
from: 212 sec.	15 cm/min
to: 70 sec.	45 cm/min
(adjustable in 5cm/min steps)	
Electr. Power Supply:	230V,N, 50/60 Hz, 1200W
Water Supply:	by supplied water bottle

Dimensions:



Colenta[®]

Technical specification subject to change without notice.

COLENTA LABORTECHNIK
 Ges.m.b.H. & Co. KG
 Neunkirchner Strasse 117
 A-2700 Wiener Neustadt
 Tel.: +43-2622-28311-0
 Fax: +43-2622-28311-7
 E-mail: Office@colenta.at
 WEB: www.colenta.at

ACI-COLENTA
 INTERNATIONAL Div.
 Forge Close, Little End Rd,
 Eaton Socon, Cambs. UK
 Tel. +44-1480-211118
 Fax: +44-1480-215236
 E-mail: aci@patflaherty.com
 WEB: www.colenta.at