

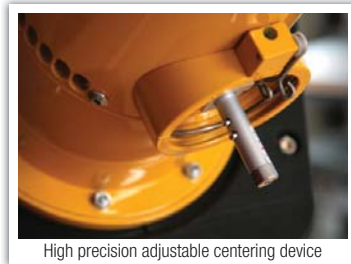
## BALTOSPOTLLX200-DA



High voltage range:	<b>15 to 200kV</b>
Tube current range:	<b>0,5 to 12 mA</b>
Beam angle:	<b>60° x 40°</b>
Inherent Filtration (mm):	<b>0,8 Be</b>
Anode cooling type:	<b>Air</b>
Duty cycle:	<b>100%</b>
Insulation:	<b>SF6 gas</b>
Mains:	<b>180 - 260V</b>
Temp. switch:	<b>70°C</b>
Weight (without rings):	<b>18,1 kg</b>
Tubehead:	<b>Metal-Ceramic</b>
Control Unit:	<b>DC1 or Hand-XD</b>

### MAIN FEATURES

- Extremely stable dose output for digital application
- Constant potential high frequency generator
- Current up to 12 mA
- Metal-ceramic tube
- Two focal spot available with beryllium window
- Energy recovery module
- Security first, x-ray start with 2 buttons



High precision adjustable centering device

### KEY ADVANTAGES

- Low weight
- Ergonomic rubber handle
- Extremely small head diameter
- Full automatic preheating process
- Low power requirement
- Cables with reduced size and weight
- Can be delivered with our 900g Hand-XD including a Geiger-Müller detector
- RS232 serial link designed to be connected to digital detectors (eg. XPro Series) and computers
- Works on power generator
- CANON mil. metallic connectors

### MOST COMMON APPLICATIONS

- Aeronautics, composites & plastics
- Building sites
- Digital applications (flat panels, CR or linear detectors)
- X-ray cabinets

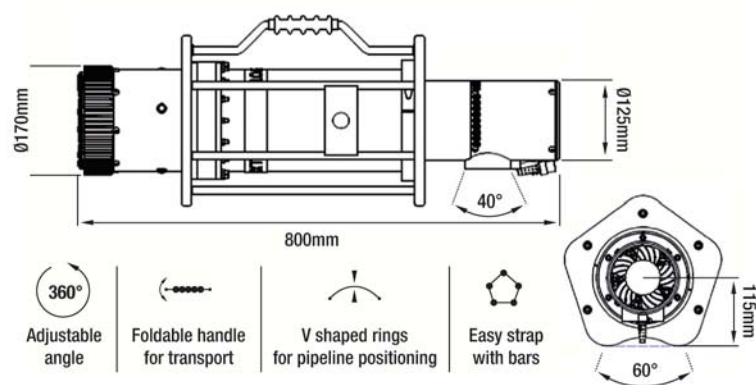


*The LLX200-DA is a high frequency constant potential Directional Air cooled, portable X-ray generator that can be used in combination with digital detectors.*

*LLX is the latest result of 65 years of expertise of Balteau in portable units combined to 25 years of Constant Potential equipment manufacture. LLX is the answer to your requirements for field inspection especially where quality requirements and speed of inspection are essentials. The specific shape given to the head of the generator makes it easier to use on field where space is always restricted for instance in aerospace applications.*



### MECHANICAL DRAWING



*LLX is controlled by a full digital control unit (DC1) using the energy saving concept of the BALTOSPOT series and our well known Hand-X® wireless remote control that is also available for your best safety.*

### INTERNATIONAL

- CE certified
- NFC74-100 LCIE Certified
- Manufactured under ISO9001

Specifications	Units	LLX200-DA-0	LLX200-DA-1
High voltage range:	kV	15 - 200	15 - 200
Tube current range:	mA	0,5 - 12	0,5 - 12
Maximum anode power dissipation:	Watt	600	900
Beam angle:		60° x 40°	60° x 40°
Focal spot size (EN12543):	mm	1,0	3,0
Steel penetration at max (*):	mm	42	44
Max recommended temp.:	°C	50°	50°
Temperature switch:	°C	70°	70°
Inherent filtration:	mm (Be)	0,8	0,8
Anode cooling type:		Air	Air
Duty cycle:	%	100	100
Mains:	V	180 - 260	180 - 260
Weight (without rings):	Kg	18,1	18,1
Tubehead:		Metal-Ceramic	Metal-Ceramic
Control unit:		DC1 or Hand-XD	DC1 or Hand-XD

\* FFD= 700mm/Film Carestream Industrex AA400/D=2.0/t=10min.



## DC1

- kV min step: **1**
- mA min step: **0,1**
- Time min step: **1 sec up to 99min 59sec**
- Memories: **100 last exposure/memories**
- Display: **4 lines, green back lighting**
- Mains: **170-260 V**
- Weight: **9,2kg**

## STANDARD EQUIPMENT

- Internal pressure gauge
- Heavy duty lock type connector
- 20m connecting cable for control unit
- 10m power cable
- Cradle with heavy duty hand rings
- Holder for centering device filter & diaphragm
- Bag for accessories



## Hand-XD (Wireless remote control)

- kV min step: **1**
- mA min step: **0,1**
- Time min step: **1 sec up to 99min 59sec**
- Memories: **100 last exposure/memories**
- Display: **4 lines, green back lighting**
- Battery: **8h charge capacity**
- Weight: **900g**

## OPTIONAL EQUIPMENT

- Lead shutter
- AVARA/P
- Warning flashing light & repeater
- Transport case
- 4 legs adjustable stand
- Hydraulic stand
- 100-260 V adapter
- RS232 link

### Produced by:

**Balteau NDT**  
Rue Voie de Liège, 12  
B-4681 Hermalle Sous Argenteau  
Belgium

www.balteau.com  
balteau@balteau.com  
Tel. +32 (0) 4 374 75 75  
Fax +32 (0) 4 374 75 85

### Distributed by:

